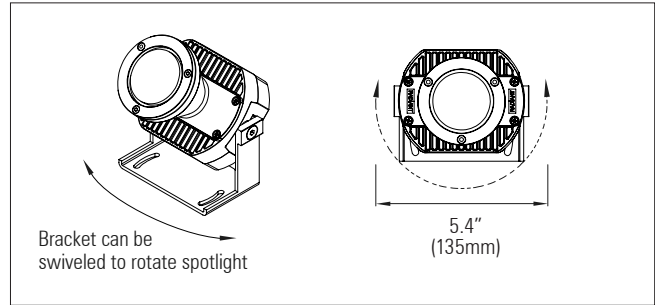
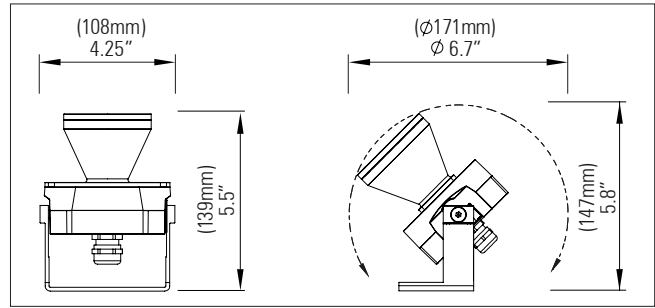
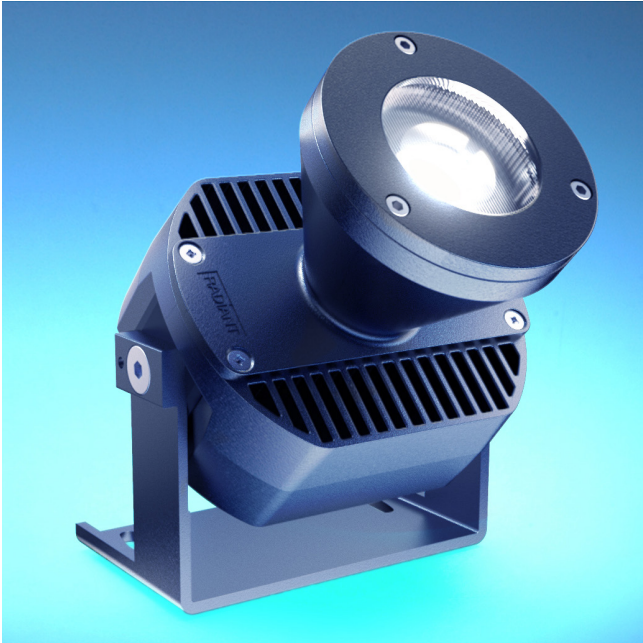


## D 100 IP66 Class 2

1 x high-power LED with 4° beam lens  
Exterior LED spotlight range



### D 100 IP66 Spotlight with 1 x high-power LED with 4° beam lens

Exterior LED spotlight range with integral LV DC to DC driver or remote AC to DC driver and extremely narrow beam with oval option for creative decorative lighting

#### Product description:

The D 100 IP66 spotlight range was developed for use in architectural, landscape and garden lighting applications, which require powerful, highly controlled lighting effects

Each spotlight comprises of: 1 x Cree XHP35 HI LED with a LEDIL LEIA lens system which produces a 4° spotlight beam

An additional sublens can produce a narrow high-aspect (50° + 5°) oval beam

Up to 10 Watts per spotlight

Rotatable in two axes using the adjustable angle brackets. Other mounting brackets are also available including custom designs to meet project requirements

Both integral LV DC to DC driver and remote AC to DC driver versions are available - internal driver boards are potted in silicone resin

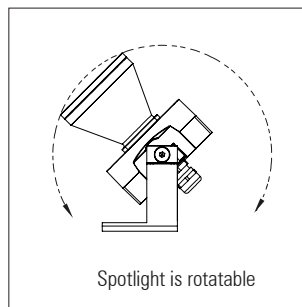
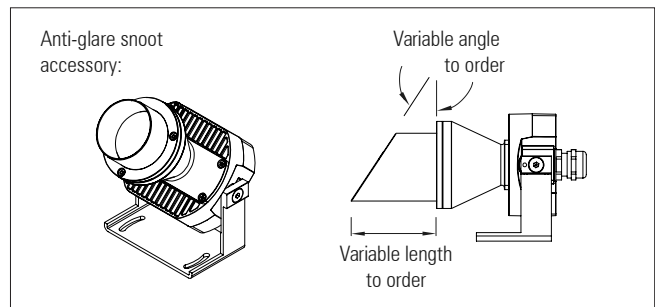
Dimming options available: 1-10V, DMX and DALI. Separate dimming channel

Various LED colour temperature and CRI options available

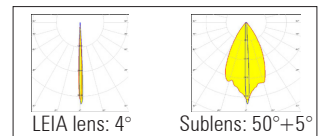
Satin black, satin white or any RAL paint colour finish

Custom anti-glare snoot accessories ensure excellent visual comfort

Low iron UV block glass covers or UV stable polycarbonate window



Up to 670 Lumens per spotlight



Product Code	IP	LED Type	Colour Temp. (K)	CRI	Optics (°)	Anti-glare Snoot	Fixing Type	Cover	Finish
D 100 IP66 4° LENS REMOTE DRIVER	66	Cree: XHP35 HI	27=2,700k 30=3,000k 35=3,500k 40=4,000k 45=4,500k 50=5,000k	80 90	LEDIL LEIA lens: Ultra-narrow 4° spot beam	Cut-angle: 0° - 75° (increments of 5°)	Adjustable angle  Fixed angle	Low iron UV block glass  UV stable PC	Black  White  Any RAL colour
D 100 IP66 4° LENS INTEGRAL DRIVER					+ sublens: Ultra-narrow 50° + 5° oval beam	Height: specify height	Custom height adjustable angle (specify leg height)  Custom solution		